

Pressure Transmitter Data Sheet

Industrial Pressure Transmitter

Model: CMPT124B-216

Introduction

◆ Adopting global advanced electron ceramic technology, CMPT124B-216 (LED display) with low range has the character of overload resistance, high impact resistance, excellent linearity, lasting high stability, wide temperature range, corrosion proof, etc. This series can be applied in Defense industry, scientific research, Space industry, Petroleum, Chemical industry, Electric power, Ocean and other fields.

Application

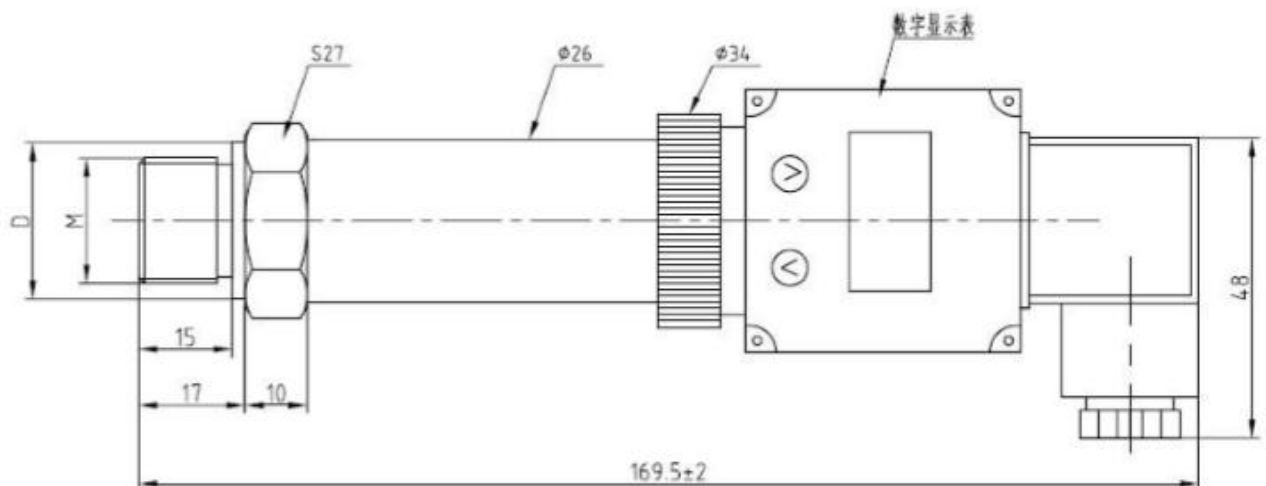
- ◆ Defense industry, Scientific research, Space industry
- ◆ Petroleum, Chemical industry
- ◆ Electric power, Ocean and other fields

Features:

- ◆ Pressure Range: 0...1bar to 0...1000bar
- ◆ Ceramics technology
- ◆ High accuracy, stable capability, little temp-draft
- ◆ overload resistance, high impact resistance, excellent linearity
- ◆ Lasting high stability
- ◆ Wide temperature range, corrosion proof



Dimensions(mm):




Remark: The standard accuracy is 0.5%, and size diameter is 26mm, if you need special (\varnothing 22mm, \varnothing 23mm, \varnothing 26mm, \varnothing 38mm), when order, please mention it, and we will send you the drawing to confirm.

Pressure Transmitter Data Sheet

Technical Characteristics	
Model	CMPT124G-215
Range	0....1bar to 0....1000bar
Accuracy	0.5%FS
Nonlinearity	0.2%FS
Reliability	0.05%FS
Output	4-20mA (2 Wire, alarm optional
Input voltage	24(12~36)VDC (Amplify signal)
Operating temperature	-40~80°C
Compensated temperature	0~70°C
Overload pressure	150%FS
Medium material	stainless steel
Electric connection	Hirschman (Big DIN)
Process connection	G1/4, G1/2, 1/2NPT, 1/4NPT, M12*1.5,etc (Customer design)

Electric Connection & wiring code

Electric connector	2 wire (4-20mA)			3 wire (0-10V,0-5V, 0.5-4.5V)		
	Hirschman (DIN)  Suitable $\phi 22, \phi 26, \phi 38$	Pin	Function	Color	Pin	Function
	1	E+/S+	Red	1	E+	Red
	2	E-/S-	Black	2	S+	Blue
	3	-----	-----	3	E-/S-	White

Ordering Guide

Model	Range (bar)	Output	Screw Thread	Electric connection	Accuracy	Diameter (mm)	Other requirement
CMPT124B-216	*	*	*	*	*	*	---

Example: PT124B-216-50Bar-4/20mA-G1/2-Hirschmann